

- Back**
- PushPull Power
  - Flat Cable Connectors SEK
  - *har-mik®*
  - D-Sub
  - InduCom

---

- **Applications**

---

## Product details

---

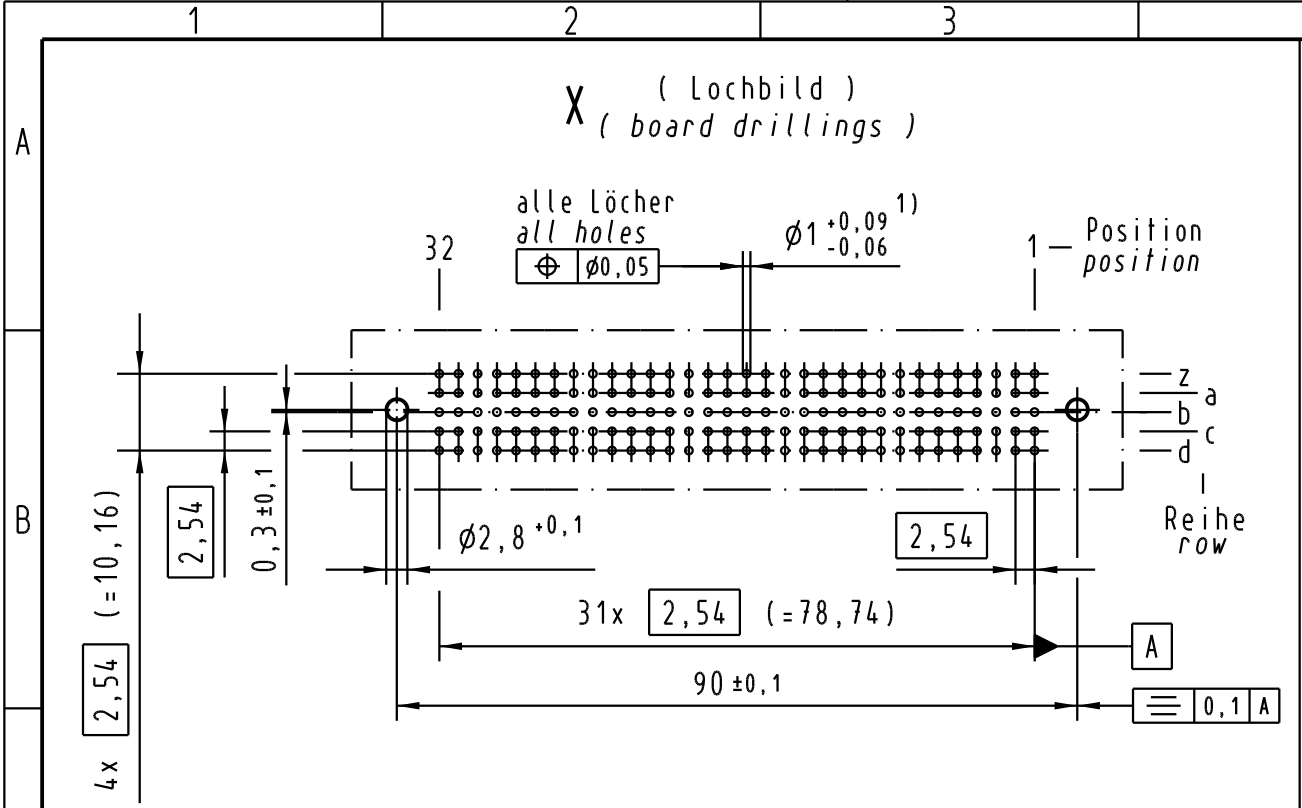
### 02 02 160 2301

#### Backplane connector

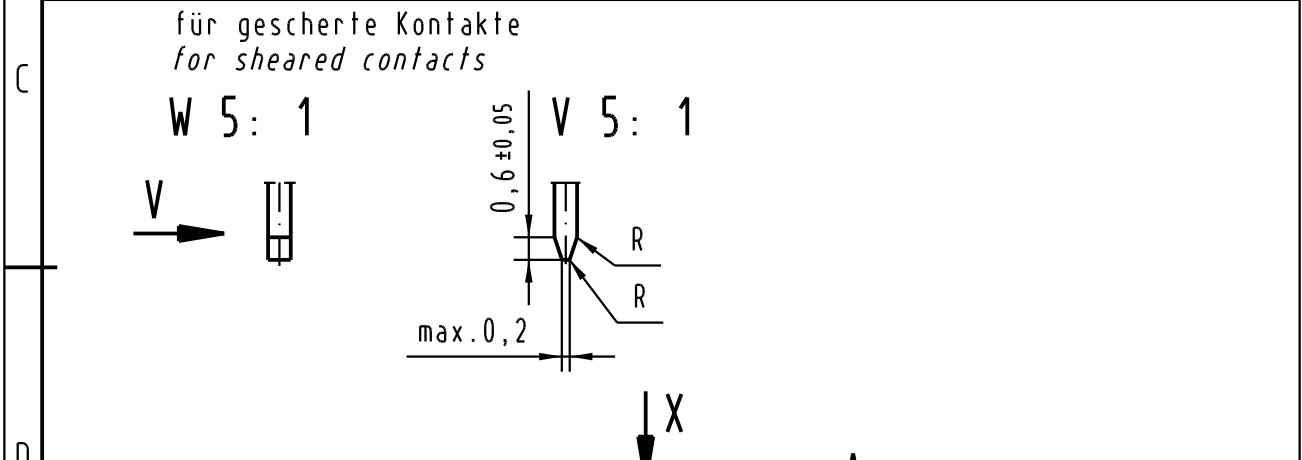
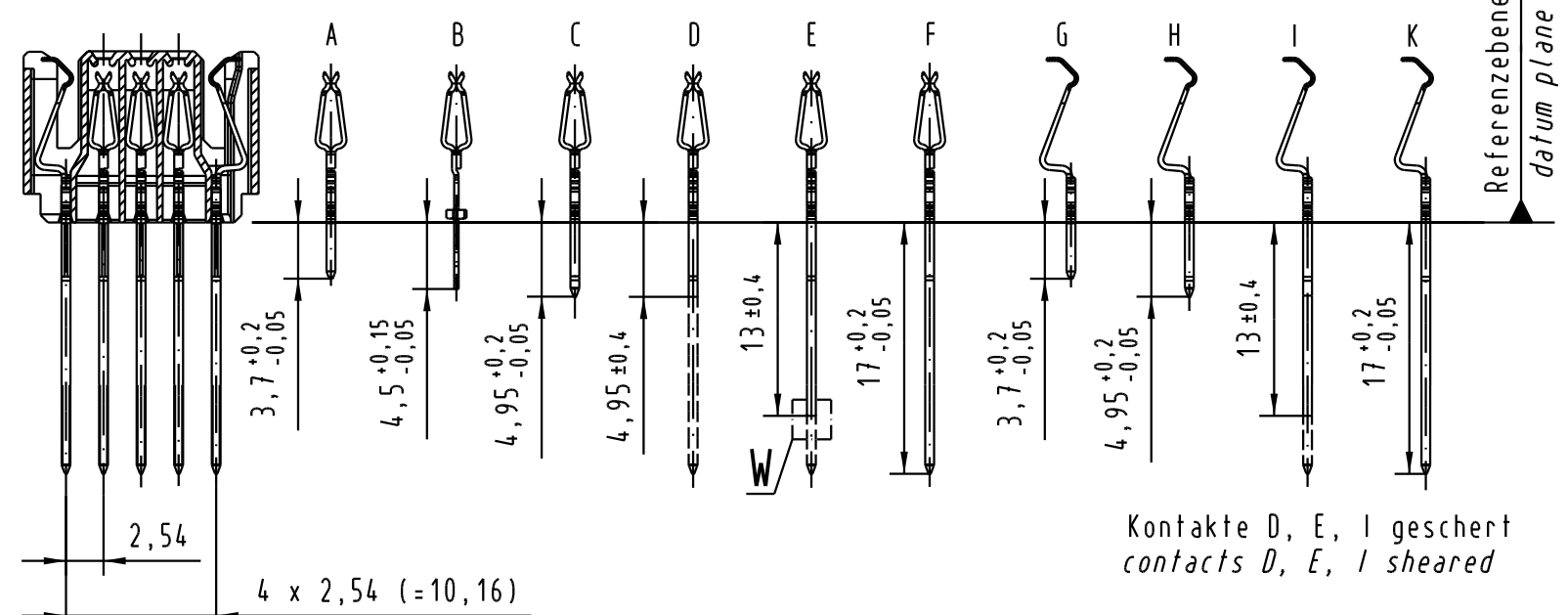
Type	har-bus 64
Standard/Inverse	Standard
Contact gender	Female contacts
Size	Whole size
Number of contacts	160 poles
Contact arrangement	Rows z, a, b, c and d
Termination	Straight press-in terminations
Termination length	17,0 mm
Performance Class	Performance level 2 as per IEC 60603-2
Contacts	with contacts
Fixing flange	with fixing flange
Terminal finish	Termination selectively gold plated
Current	1 A
Clearance/ Creepage	1.2 mm / 1.2 mm (1.0 mm)
RoHS compliant	Yes

**Inquiry**

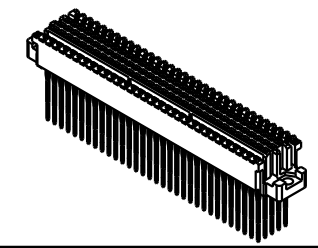
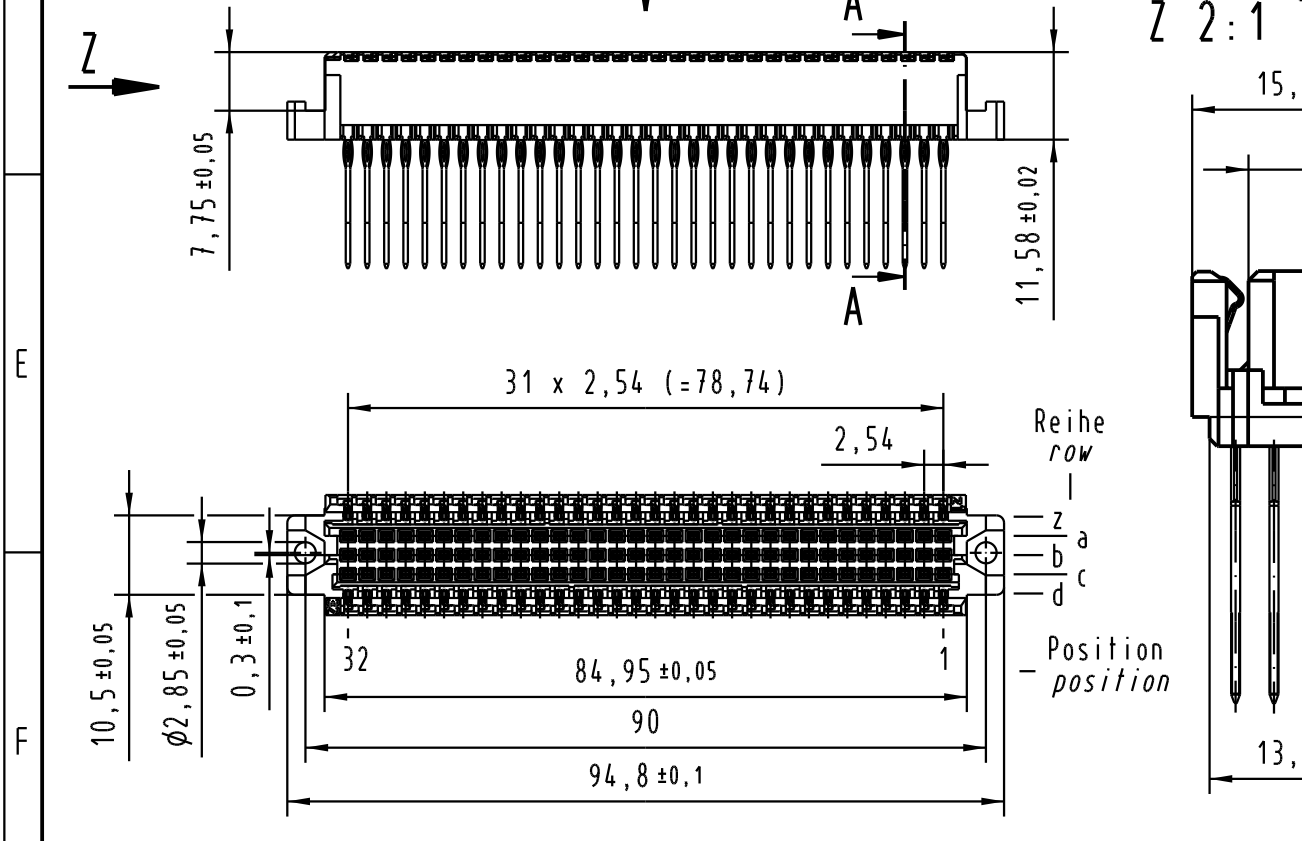
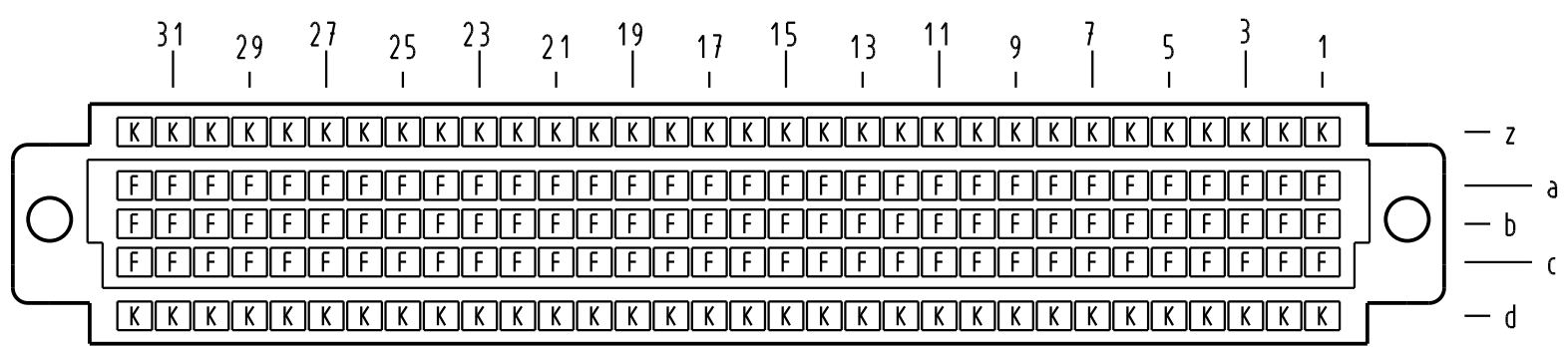
Alle Rechte vorbehalten. All rights reserved



**A-A 2:1**



**X 2:1**



1) Für Einpreßverbindung nach IEC 352-5  
 1) For press-in connection acc. to IEC 352-5

02 02 160 <u>2</u> 301	2	Au über/over Ni
02 02 160 <u>1</u> 301	1	Au über/over Ni
Bestell-Nr. part-No.	Anforderungsstufe nach IEC performance level acc. to IEC	Kontaktoberfläche contact plating

All Dimensions in mm Original Size DIN A 3	Techn. Character. IEC 61076-4-113			Nicht tolerierte Maß Free size tolerances IEC 61076-4-113	
		Dat.	Name	Maßstab/Scale	
	Detail.	24.02.05	Ge.	1:1	
	Insp.	24.02.05	Ge.	(2:1)	
	Stand.				
32662	06.04.05	Ge.	HARTING Electronics GmbH & Co. KG D-32339 ESPELKAMP		
32467					
Mod.	Dat.	Name	TB 02 02 160 x301		Blatt/page
			Sub. TB 02 02 160 x301 v. 09.10.96		